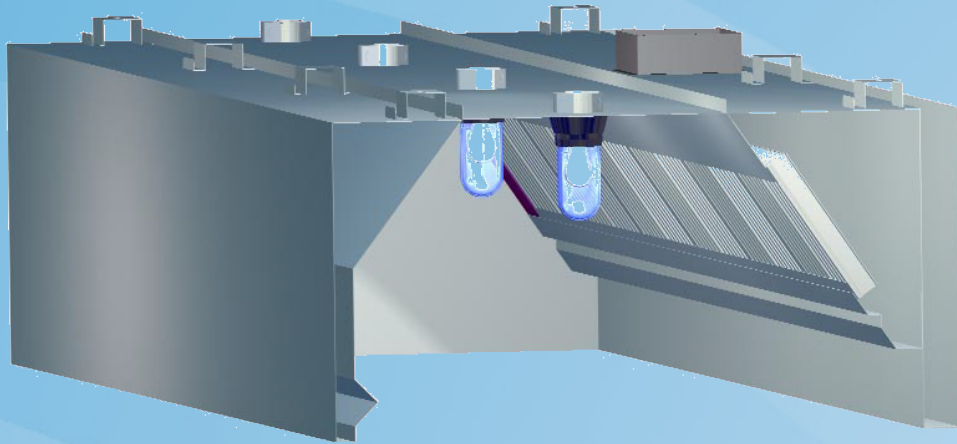


EO

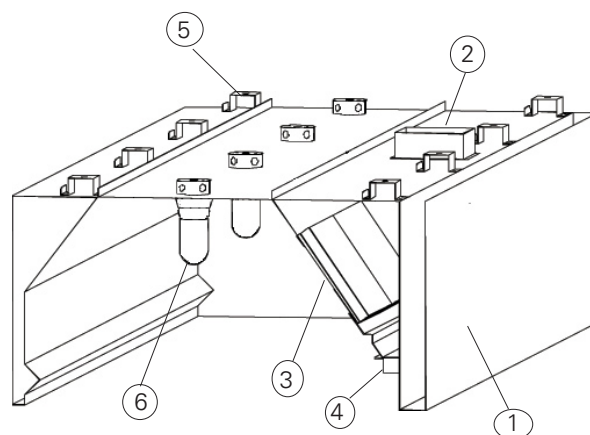
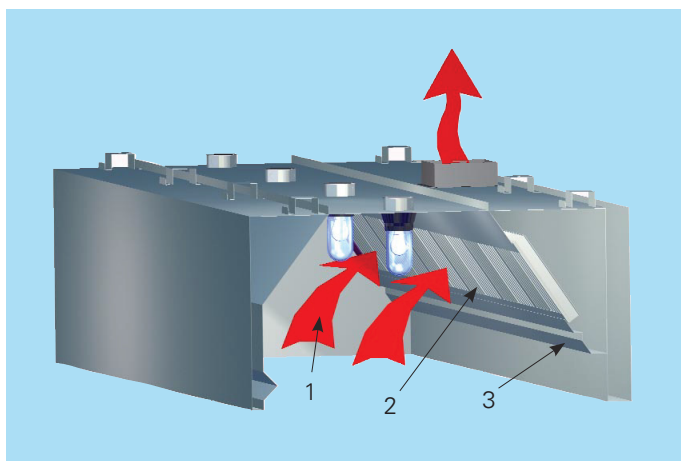
Extraction Hood

EO/PC/xxxx11507/EN



The EO hood is an extraction hood for exhaust of contaminated air released by cooking equipment with low heat loads. The hood is UL listed at 150 cfm per linear foot for light duty applications.

- Manufactured from polished stainless steel, welded liquid tight design.
- Incandescent light fixtures are standard. Integrated or surface mounted fluorescent fixtures are available as an option.
- High efficiency grease filtration using UL classified Aluminum or Stainless Baffle filters for removal of grease and contaminants.



Function

The EO hood above the kitchen equipment contains the rising warm air (1) and contaminants. The contaminated air is exhausted from the hood through the baffle filters (2), The extracted grease and other contaminants flow into a drain channel and toward the collection cup or drain tap (3).

Part	Description
1	Outer casing of 18 Ga. Stainless steel
2	Exhaust duct
3	Grease filters
4	Grease collection cup
5	Assembly brackets
6	Lighting fixtures

DIMENSIONS

EO	inches
Length	48.....168
Width	42.....84
Height	24.....30

Construction

The outer casing is manufactured from easy to clean stainless steel. All joints of hood are fully welded and polished to ensure water tightness. Hood is also equipped with a collection cup or a draining tap is fitted into the grease drain channel to enable the removal of the grease and contaminants extracted by the stainless steel filters. Surface mounted incandescent lighting fixtures are supplied.

Accessories

- Closure Panels - for canopies below ceiling level
- Backsplash
- Surface mounted incandescent (optional)
- Non-standard drain tap sizes and position
- Face or remote mounted switch panel
- Factory pre-piped fire protection
- Stainless steel filters
- Recessed Florescent

DIMENSIONS

EO - Wall model	inches
Length	18....168
Width	18....84
Height	12....36

Noted in drawings as:

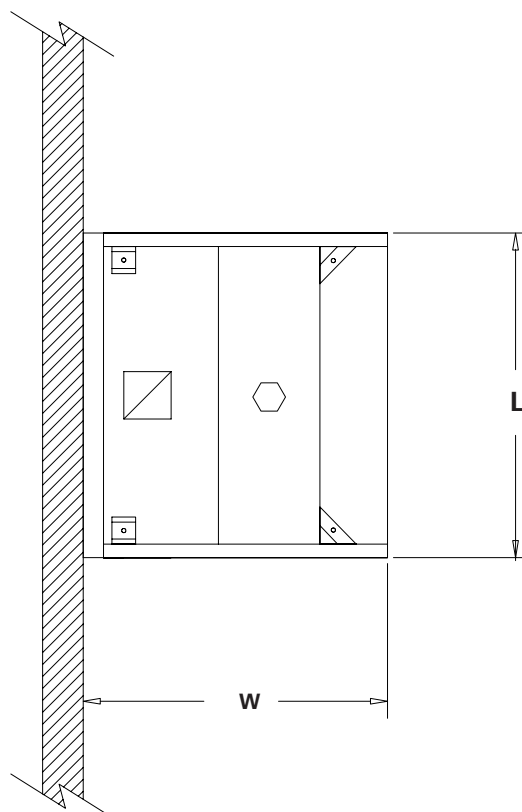
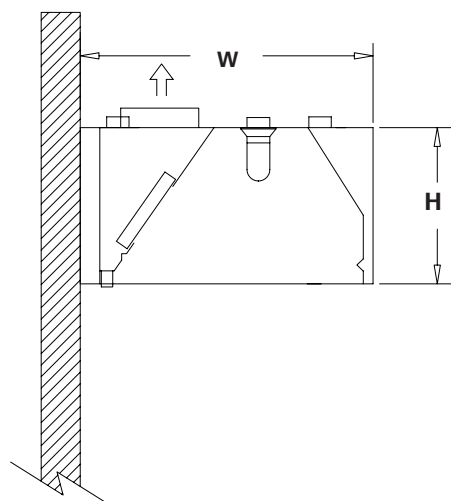
- * L = Length
- * W = Width
- * H = Height

WEIGHTS (LB)

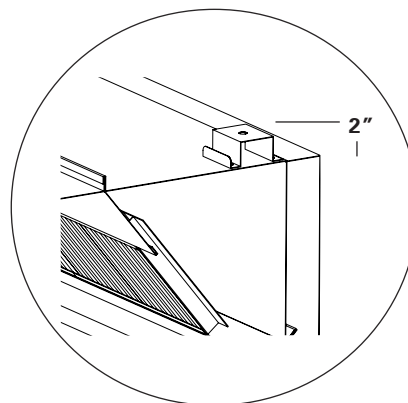
18 ga.

Estimated Crated Shipping Weight	inches	Weight
Width	36"	40 lbs / ft.
Width	42"	45 lbs / ft.
Width	48"	50 lbs / ft.
Width	54"	55 lbs / ft.
Width	60"	60 lbs / ft.

*Larger Weights - Consult Factory



Mounting bracket 2" high (52mm)



Suggested specifications

General

The kitchen hood shall be constructed from 18 gauge stainless steel with brushed satin finish.

The kitchen hoods shall be supplied complete with outer casing / main body, inner liner, exhaust duct, incandescent lighting, grease filters, perimeter drain channel, collection cup, and assembly brackets.

Each joint shall be welded and liquid tight.

All exposed welds are ground and polished to the original finish of metal. Canopy ends shall be double sided wall construction (no single wall hoods permitted).

Light fixtures

Each hood can be provided with surface mount light fixture(s). The lighting shall be suitable for single-phase power supply and shall be UL listed incandescent type, suitable for condensate hoods. Fluorescent light fixtures are offered as an option.

Grease Filters

The hood shall be equipped with aluminum baffle type grease filters. The grease extractors shall be UL classified and mounted in the full length filter bank with concealed grease channel. The filter are easily removed via two folding handles.